

**Modbus I/O  
using SCADALink DC100**

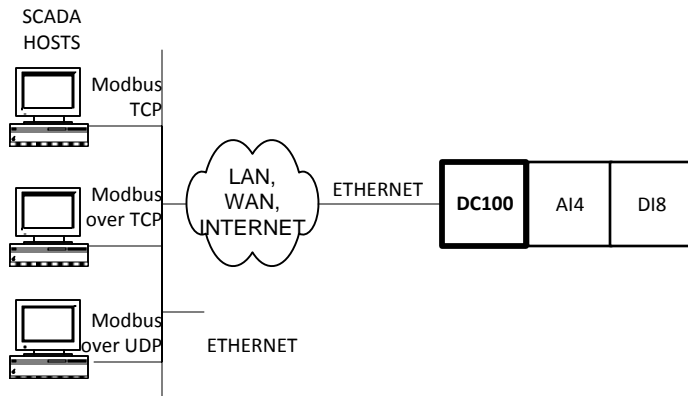
The SCADALink DC100 and modular I/O Modules provide a flexible and rugged Modbus I/O system that can communicate both Serially via RS232, RS485 connections via Modbus RTU protocol; or via Ethernet using Modbus TCP, Modbus over TCP protocol. Up to 8 I/O modules can be connected to a single DC100 with modules types being DI, DO, AI, AO, or combo I/O.



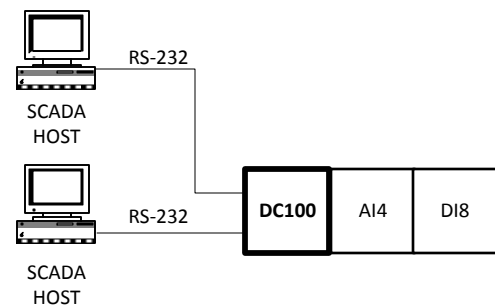
Up to 8 I/O modules can be connected to a single DC100 with a range of I/O module types:

- DI8
- DO8
- AI4
- AO4
- A8D4

**MODBUS TCP PROTOCOL**



**MODBUS RTU PROTOCOL**



**Figure 1: DC100 I/O MODULE COMMUNICATIONS**