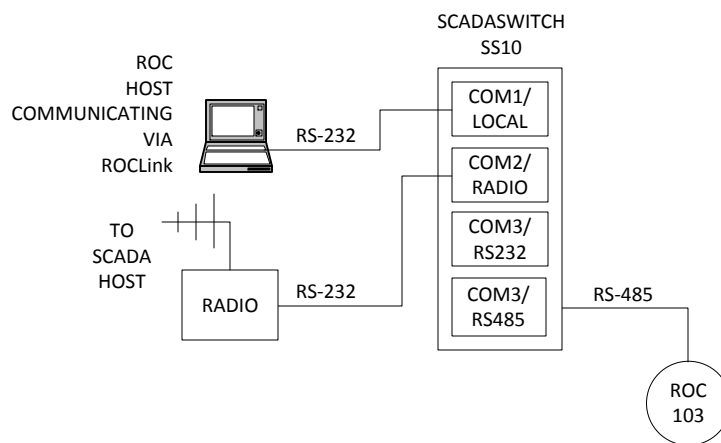


**Simultaneous SCADA Polling and ROCLink Diagnostics
with SCADALink SCADASwitch SS10**

During maintenance or troubleshooting, operators might be required to access a remote Fisher ROC / FloBoss through ROCLink. In a dedicated hardwired polling system this can only be done by breaking the SCADA Host physical connection to connect the ROC Host PC running ROCLink Diagnostic software.

For critical applications where downtime is costly, the disruption to polling can be avoided by using the SCADALink SCADASwitch SS10.



Simultaneous SCADA Polling and Fisher ROC FloBoss Diagnostics using SS10

The SCADASwitch is a 2-port RS-232 Switch which can enable simultaneous SCADA Host and ROCLink access through a single serial port. The SCADASwitch can be used in the RTU panel or upstream of the master radiomodem.