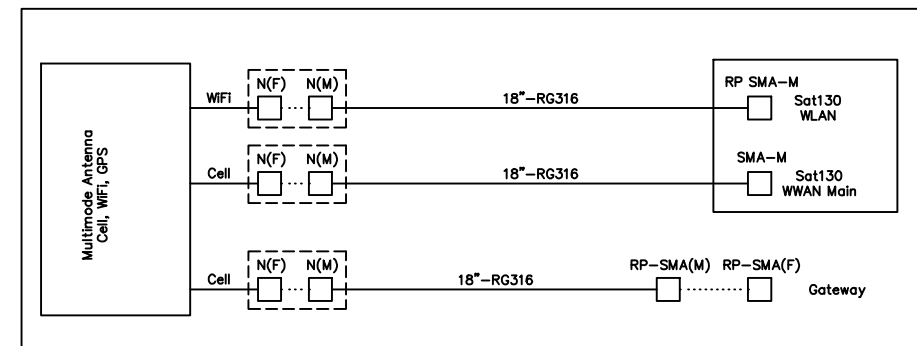
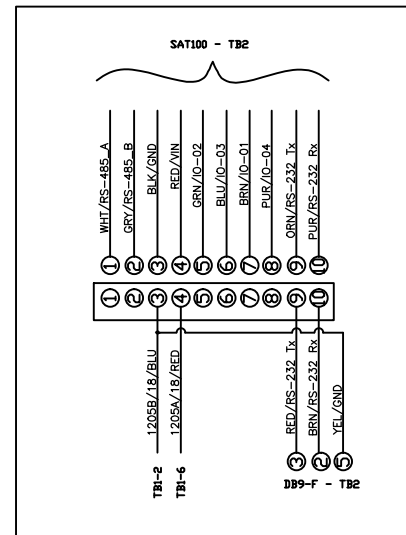
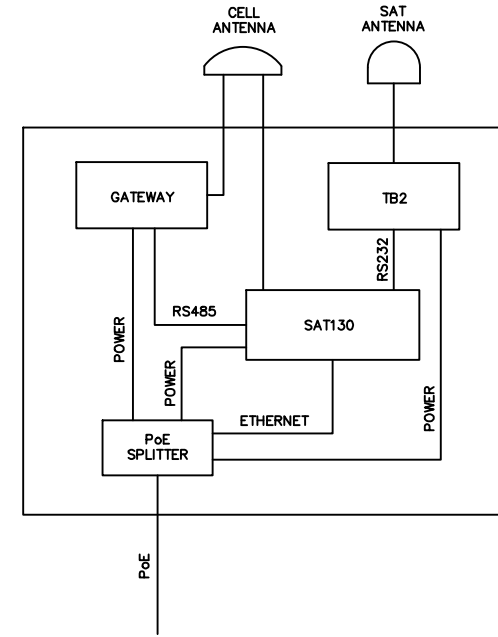
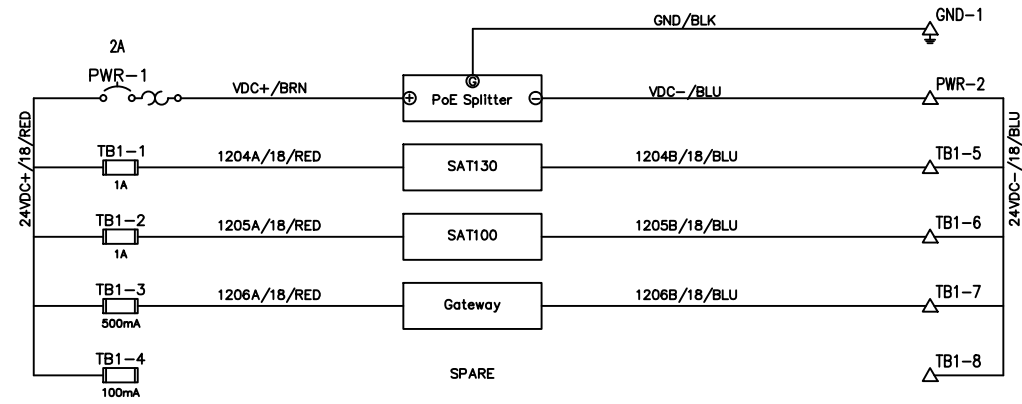


MATERIAL LIST - RTU PANEL				
ITEM	QTY	DESCRIPTION	MANUFACTURER	PART NUMBER
1	1	ENCLOSURE	INTEGRA	HI2106HFL
2	1	SATELLITE MODEM	SCADALINK	SAT130
3	1	TERMINATION BOARD	SCADALINK	TB2
4	1	SATELLITE ANTENNA	SCADALINK	SAT100
5	1	MULTIMODE CELLULAR WIFI GPS ANTENNA	SANAV	AW-10T-DLW
6	1	POWER OVER ETHERNET SPLITTER		
7	1	MODBUS GATEWAY	SIGNALFIRE	GWDIN
8	1	CIRCUIT BREAKER	PHENIX CONTACT	-
9	1	SAT100 1' CABLE	SCADALINK	-
10	4	FUSE TERMINAL AFS 4 2C BK	WEIDMULLER	2429860000
11	4	FEED THROUGH TERMINAL ASC 4	WEIDMULLER	2051240000
12	1	END PLATE A SERIES AEP 3C 4	WEIDMULLER	2051720000
13	4	END BRACKET A SERIES AEB SC/1	WEIDMULLER	1991920000
14	2	TERMINAL MARKET A SERIES EM 8/30	WEIDMULLER	1806120000
15	2	DIN RAIL TS35 10"	WEIDMULLER	0514500000
16	1	GROUND LUG	PANDUIT	LAMA2-14QY
17	1	BULKHEAD ETHERNET CONNECTOR	-	-
18	1	1/2" PLUG	-	-
19				

STAMP	REV	DATE	DESCRIPTION	DSG	BY	CHKD	APPR	CLIENT	BENTEK SYSTEMS PROJECT: Prototype	
								Bentek Systems	PROJECT DESCRIPTION	
									SAT130 PoE Panel	
								Sr.No.	SAT130-PoE-001	
								LSD	-	
								PAGE DESCRIPTION	PANEL LAYOUT-1	
								DRAWING NO.	DWG-PL-01	REV 0
	0	08/24/2018	FOR CONSTRUCTION	RS	RS	BY	BY	PATH	O:\Engineering\Design Room\Autocad Drawings\SAT130 Remote Comms Panel With Gateway	



201  
202  
203  
204  
205  
206  
207  
208  
209  
210  
211  
212  
213  
214  
215  
216  
217  
218  
219  
220  
221  
222



STAMP	REV	DATE	DESCRIPTION	DSG	BY	CHKD	APPR	CLIENT	BENTEK SYSTEMS PROJECT: Prototype	
								Bentek Systems	PROJECT DESCRIPTION	
									SAT130 PoE Panel	
									Sr.No.	SAT130-PoE-001
									LSD	-
									PAGE DESCRIPTION	PAGE 1 OF 2
									POWER DISTRIBUTION	
									DRAWING NO.	DWG-PD-01
										REV 0
	0	08/24/2018	FOR CONSTRUCTION	RS	RS	BY	BY	PATH	O:\Engineering\Design Room\Autocad Drawings\SAT130 Remote Comms Panel With Gateway	

